

Neuralog Z3 Log Printer Installation Guide

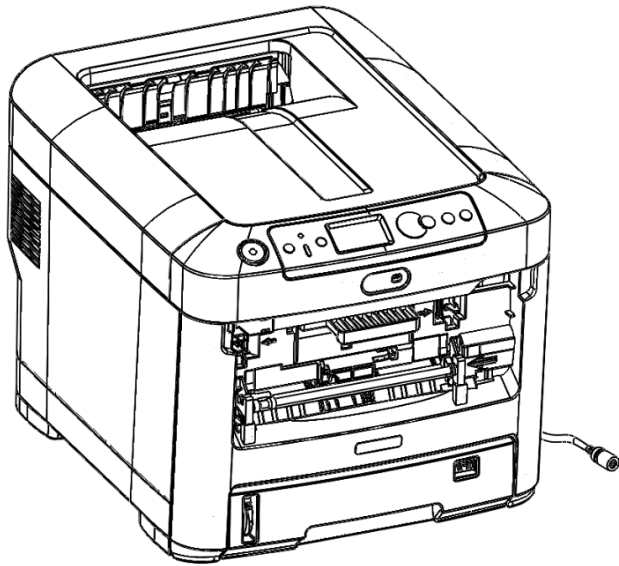


Unpack Printer Box and Accessory Box

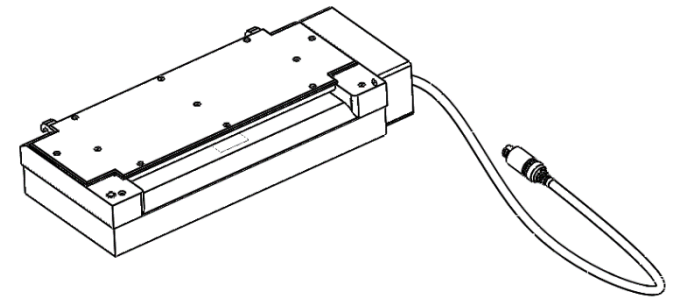
Locate the following

- 2 people to lift printer from the box.
- A sturdy table that can hold the printer. Recommended *minimum* table size of 24" x 24" with 48" clearance for printing.
- Access to an electrical wall outlet for direct printer plug in.
- Access to a network wall outlet for direct network plug in. Network cable is provided. (Or USB may be used.)

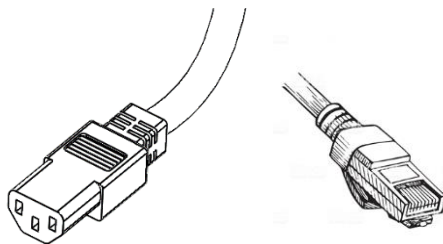
You Will Need



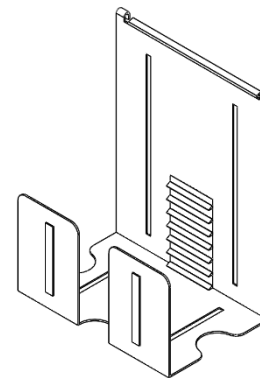
Neuralog Z3 Printer



Neuralog CFA
(Continuous Feeder Attachment)



NZC3 Power Cable and
Network Cable



Log Basket

CFA Installation

For this step you will need a Neuralog CFA.

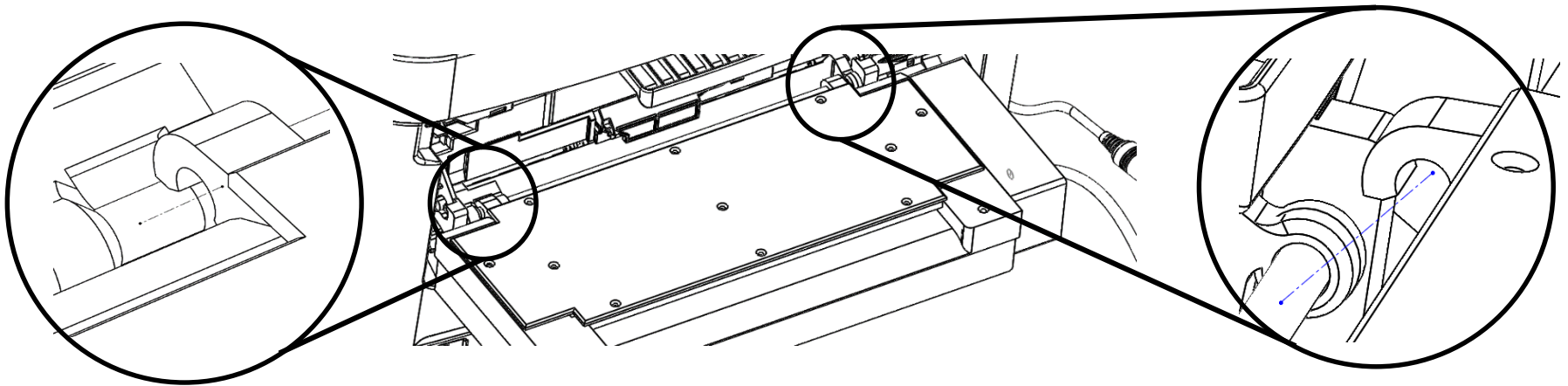


Figure 1

The Neuralog CFA hooks onto the mounting hardware of the NZC3 printer. The left hook on the Neuralog CFA fits in between the alignment hooks on the mounting hardware. Refer to Figure 1 for detail.

Connect CFA to Printer

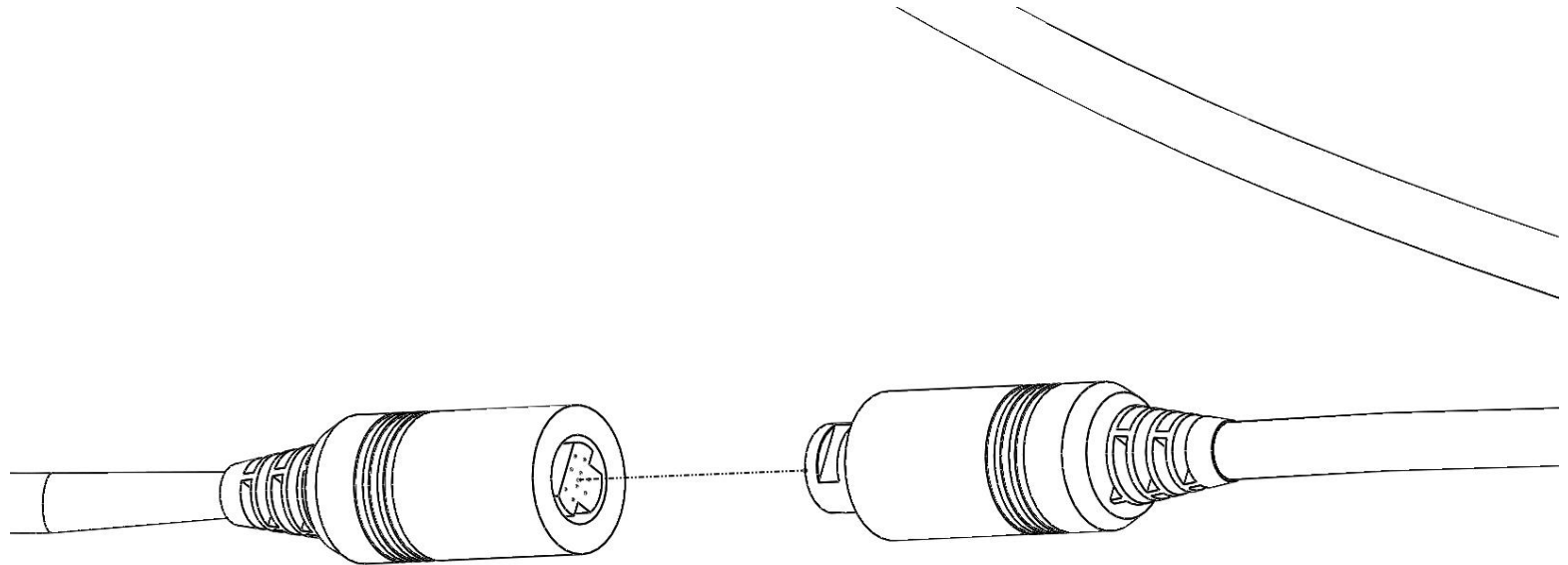


Figure 2

Caution! Ensure that the Printer power is OFF before plugging in your CFA.

Attach Log Basket

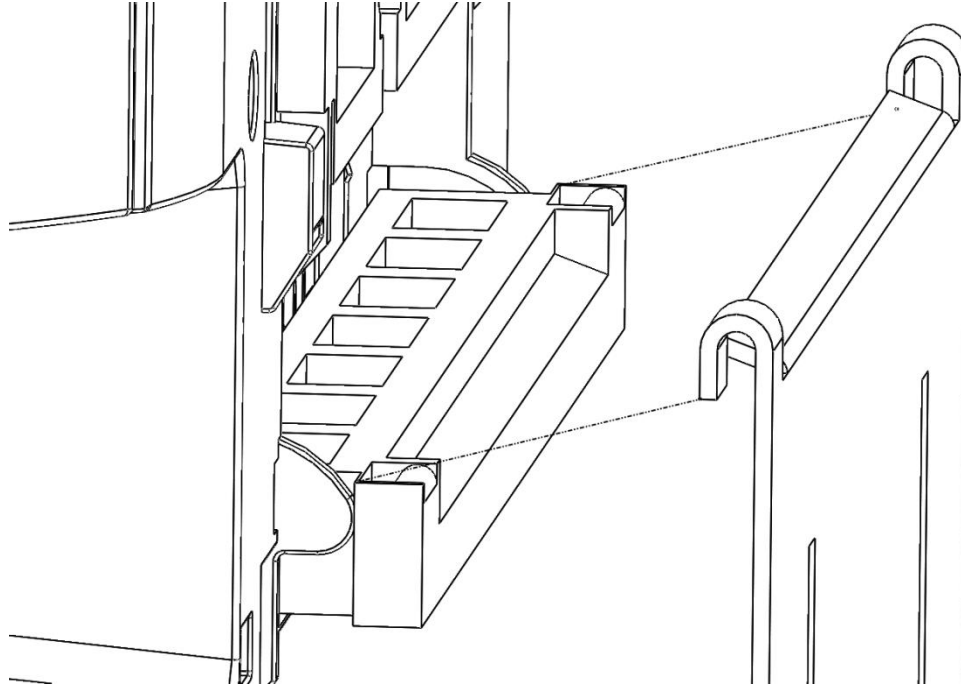


Figure 3

The log basket mounts onto a white plastic mounting bar on the back of the printer. The hooks of the basket slide into the rounded slots on the mounting bar.

Caution! Basket must hang vertically off table for paper folding.

Connect Printer to Power

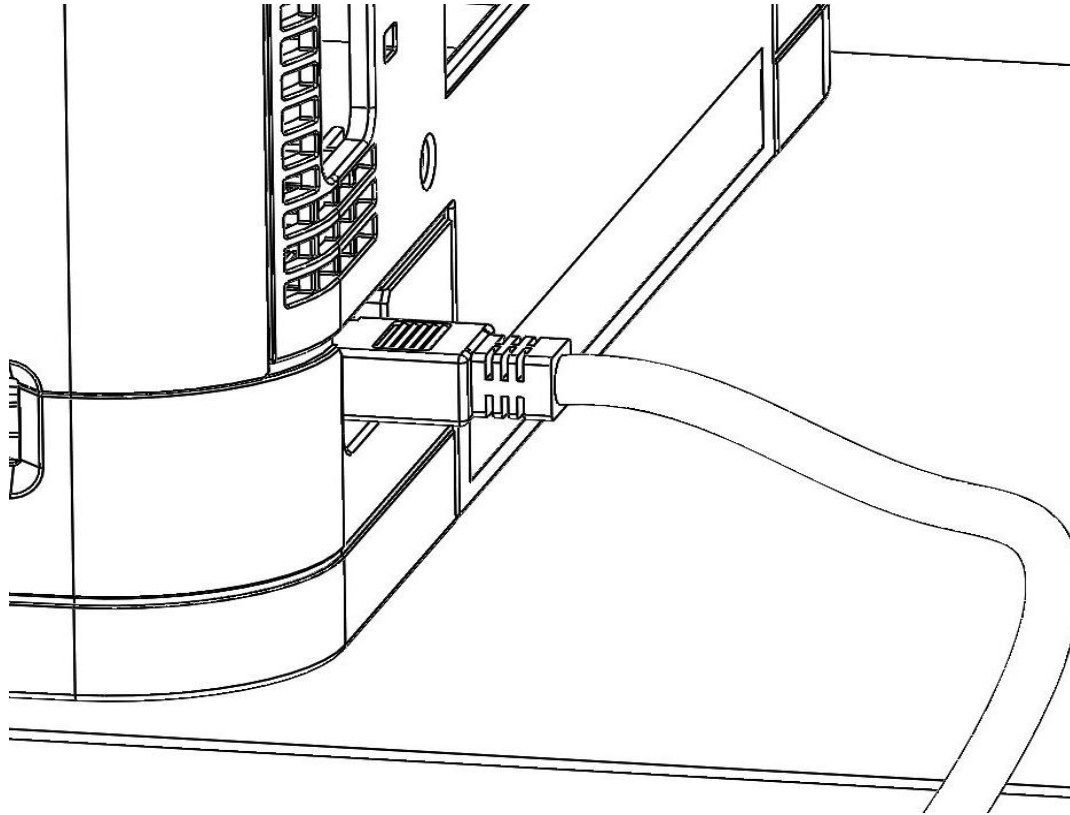


Figure 4

Plug the printer directly into the wall socket. DO NOT use a power strip.
You may now power on the NZC3 Log Printer.

Caution! Do not unplug CFA while the printer is on. Doing so may damage your printer.

Next Steps

- Plug printer into network and obtain network address.
- Verify CFA has booted up and displays a blue LED.
- Download and install Neuralog Z3 driver and NeuraView software
www.neuralog.com/Z3
www.neuralog.com/View
- Load well log paper with mark face down and to the right.
- Print well logs on your Neuralog Z3 printer!

Technical Support

Hours of Operation 8AM - 5PM CST

1-281-240-2525 x16

support@neuralog.com